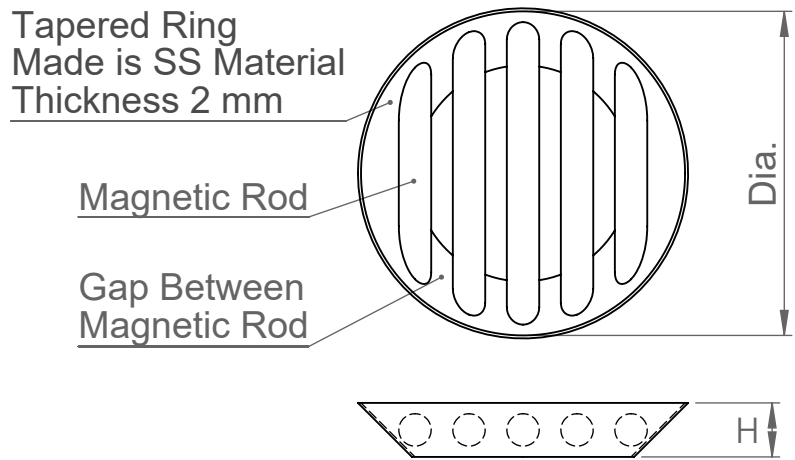
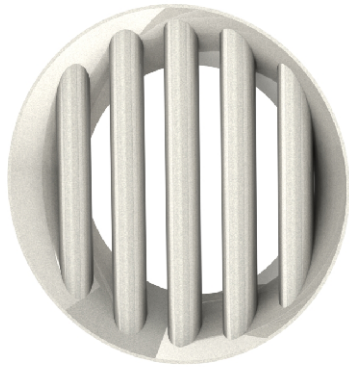


## Hopper Magnet In Circular Shape with Taper Ring



### Purpose

Hopper Magnet is used for separating ferrous particles from any kind of raw material Which is in Granular form/ Powder form and Liquid Form also.

### Construction

The multiple cartridges fit in square /rectangle frame. These cartridges consist permanent magnets It is available in Nd Fe B grade magnets and Strontium ferrite magnets. Outer tube is made by SS304 /SS316 grade steel (Non magnetic steel).

### Maintenance

These cartridges are required to cleaning periodically for getting good results, the cleaning frequency is decide by the operator.

### Advantages

- Fatigue reduces. (save energy)
- Increasing productivity.
- Increasing quality.
- No Electricity is required.
- Absolutely environmentally friendly (No gases chemicals generated)
- No maintenance is required.

### Area of application

Food industries, Plastic industries, Chemical industries, Automobile industries etc.

### Available Sizes

Model Code No.	Size (L x W X H )
018-03-01	Dia.200 x H50mm
018-03-02	Dia.250 x H50mm
018-03-03	Dia.300 x H50mm