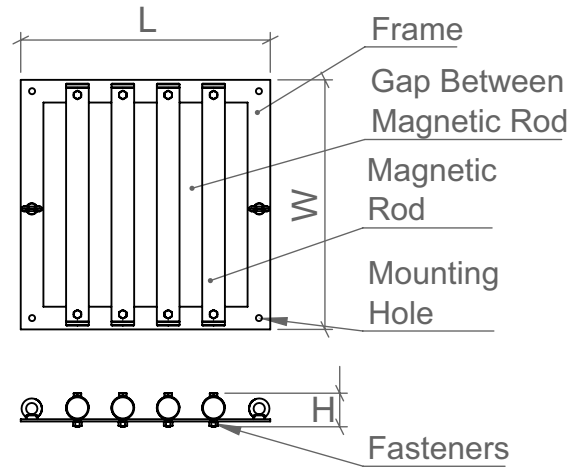


Hopper Magnet _ Square Shape In Flat Frame



Purpose

Magnet is used for separating ferrous particles from any kind of raw material which is in Granular form/ Powder form and Liquid Form also.

Construction

The multiple cartridges fit in square /rectangle frame. These cartridges consist permanent magnets It is available in Nd Fe B grade magnets and Strontium ferrite magnets. Outer tube is made by SS304 / SS316 grade steel (Non magnetic steel).

Maintenance

These cartridges are required to cleaning periodically for getting good results, the cleaning frequency is decide by the operator.

Advantages

- Fatigue reduces. (save energy)
- Increasing productivity.
- Increasing quality.
- No Electricity is required.
- Absolutely environmentally friendly (No gases chemicals generated)
- No maintenance is required.

Area of application

Food industries, Plastic industries, Chemical industries, Automobile industries etc.

Available Sizes

Model Code No.	Size (L x W x H)
018-04-01	L150 x W150 x H60mm
018-04-02	L200 x W200 x H60mm
018-04-03	L250 x W250 x H60mm
018-04-04	L350 x W350 x H60mm
018-04-05	L600 x W600 x H60mm