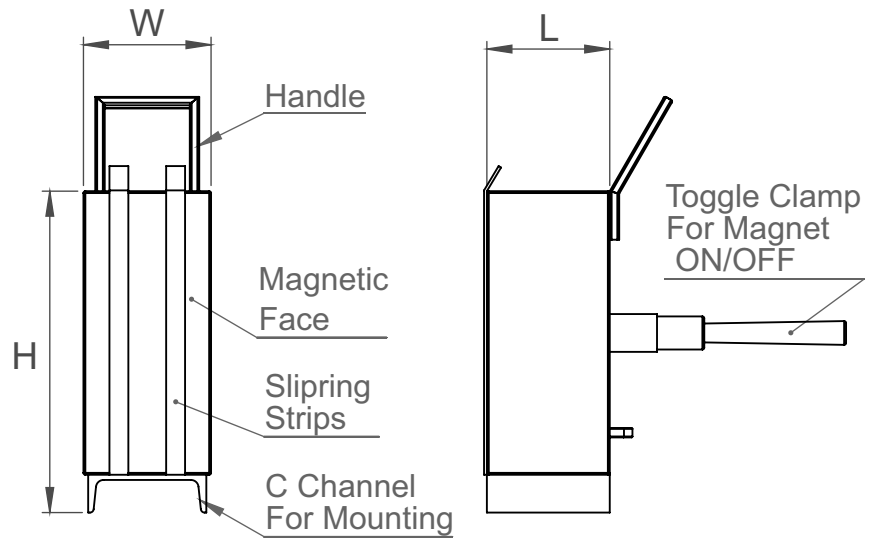


## Magnetic Destacker with ON/OFF Facility



### Purpose

Magnetic Sheet Separator are used for separation of single sheet from stack, these sheets are separated one -by-one from top to bottom. It is suitable for “Manually operation as well as Robotic Sheet pick-up System”.

### Construction

The body of De-stacker is fabricated . It consist SS304/ Mild Steel/Aluminium. It is available in Nd Fe B grade magnets and Strontium ferrite magnets. Outer surface is made by SS304 /SS316 grade steel (Non magnetic steel). Provide two vertical strips to for easily sleeping sheet form magnetic surface.

NOTE : This type of destacker having magnet ON-OFF facility, so that it can be easily removed from stack by operating lever.

### Customize design

This separator can be design as per sheet size (Length, Width and Thickness) and stack height.

It's also suit for Robotic Sheet Conveying System so that single sheet can be lift by Robot and it avoid feeding two sheets at a time in Press Die.

It's also suit for manually operation so that press operator can easily pickup one sheet at a time.

### Advantages

- Avoid two sheet feeding AT-A-TIME in press die.
- Fatigue reduces of operator(save energy)
- Increasing productivity.
- Increasing quality.



## Magnetic Destacker with ON/OFF Facility

- e) No Electricity is required.
- f) No dimensional changes.
- g) Absolutely environmentally friendly (No gases chemicals generated)
- h) No maintenance is required.

### Areas of Application

### Available Sizes

Model Code	Nominal Size
019-05-01	L 125 x W 135 x H 300mm