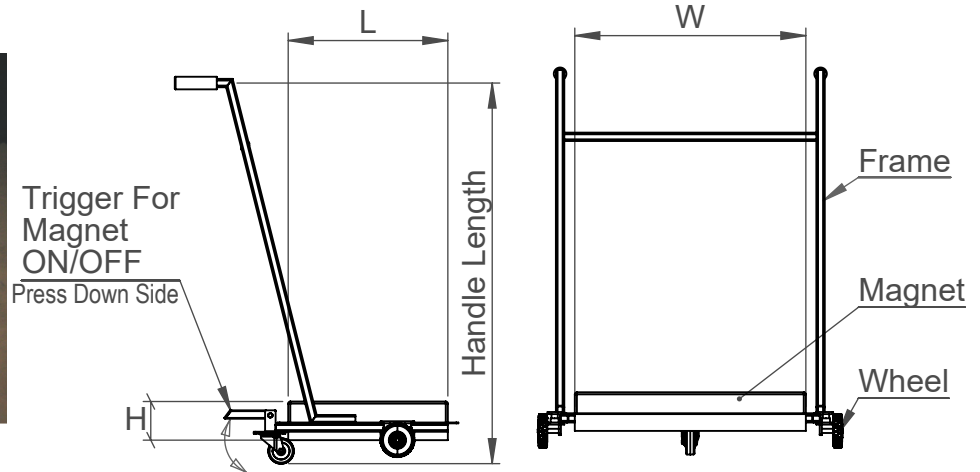


Magnetic Sweeper



Purpose

Magnetic Sweeper is a device, which is used for collection of iron waste material like bur, chips, washer, and nails screw etc. from shop floor. EASY CLEANING FACILITY is provided. Main purpose of this machine is to provide clean Machine shop floor. Size and model is vary according to application.

Construction

It consist powerful permanent magnets, SS304/ Mild Steel/Aluminium etc.

Advantages

- Keep floor clean.
- Fatigue reduces of sweepers/ helpers (save energy)
- Increasing life of shoes sole and wheels of material handling trolleys.
- Avoiding the accident.
- No Electricity is required.
- Absolutely environmentally friendly (No gases chemicals generated)
- No maintenance is required.

Area of application

All machine shops.

Available Sizes

Model Code	Type	Nominal Size
020-03-01	Pad Type	L400 x W400 x Thick200mm + handle length ~900mm
020-03-02	Pad Type	L400 x W650 x Thick200mm + handle length ~900mm