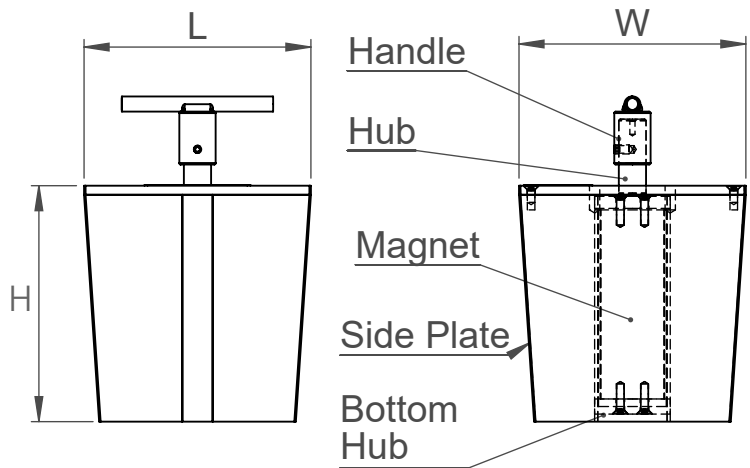


Shuttering Magnet [Tapered Shape]

Write up not available



Model Code	Size (L x W xH)

Applications